



# APT275™

## Rotating Vane Probe Head with Temperature Sensor

The Pacer APT275 Rotating Vane Probe Head with Integral Temperature Sensor is a high-precision anemometer and temperature probe used in many demanding applications including Industrial Process Control, Laboratory, Cleanroom, Critical HVAC, Aerospace and Automotive Development, and Field Research. Pacer products are supported by an expert engineering team ready to customize to any requirements.

### Air Velocity Measurement Range

- 50 to 7800 FPM (feet per minute)
- 0.25 to 40.00 MPS (meters per second)

### Accuracy

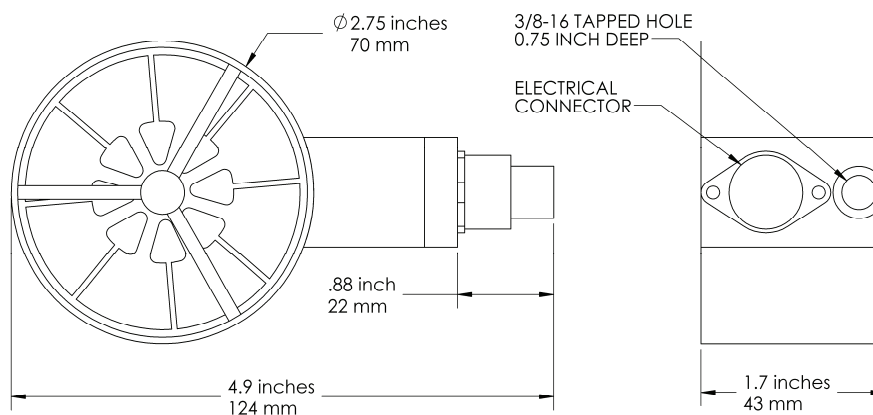
- Airflow:  $\pm 1.0\%$  of Reading + 1 digit
- RTD Temperature Sensor: IEC 751 Class B
- NIST calibration included

### Temperature Measurement Range:

- $-4^{\circ}\text{F}$  to  $212^{\circ}\text{F}$
- $-20^{\circ}\text{C}$  to  $100^{\circ}\text{C}$

### Features Include

- Mounting boss with 3/8-16 UNC tapped hole as shown below
- Durable Aircraft Aluminum metal vane and body
- Long-life High-Precision bearings
- On-board electronics with calibrated air speed pulse output
- Connection connector or 1' pigtail available
- Custom cable lengths available (5ft increments)



**Pacer Instruments**  
by Miltronics Mfg., Inc.  
95 Krif Road  
Keene, New Hampshire 03431 USA  
Email: sales@pacer-instruments-usa.com  
Phone: 603-352-0187  
Fax: 603-352-1036

Toll Free: 1-800-283-1141  
www.pacer-instruments-usa.com



**Pacer Calibration and Service**  
by Miltronics Mfg., Inc.  
95 Krif Road  
Keene, New Hampshire 03431 USA  
Email: sales@pacer-instruments-usa.com  
Phone: 603-352-0187  
Fax: 603-352-1036